



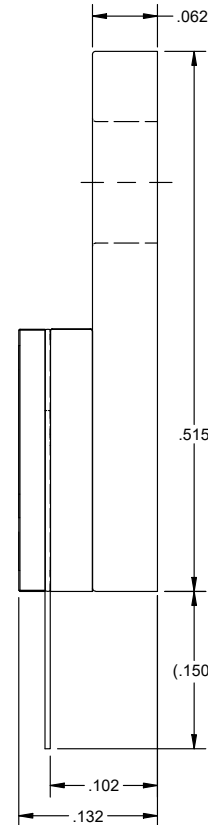
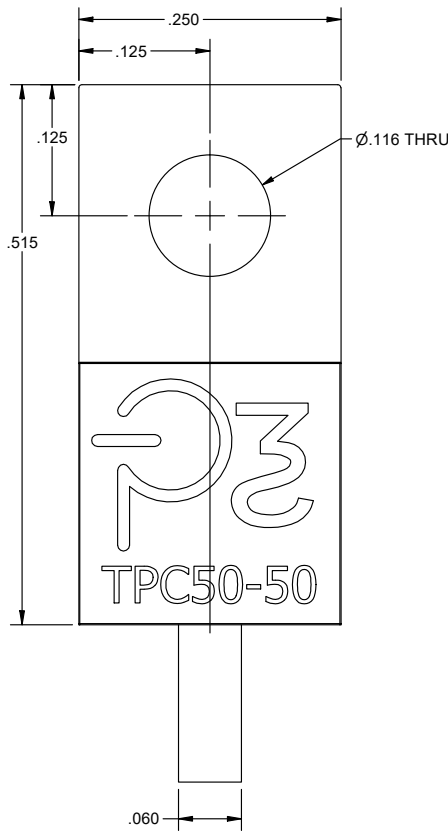
# DC - 6.0 GHz.

## Model: TPC50-50



The TPC50-50 is a 50 ohm, Beryllium Oxide bolt down termination. It has an input average power of 100 watts, while maintaining a constant mounting surface temperature of 100 °C. It offers a frequency range from DC - 6.0 GHz. with an excellent VSWR of <1.2:1 maximum across the band.

The package is an industry standard which is a direct drop-in replacement for existing legacy products. This allows for easy changeover for new designs and replacing older outdated marginal devices that may have degraded or drifted over time. Applications include Medical, Broadcast, Industrial, Commercial Wireless, Military and Space. 50 Ω is the standard value. We can offer any resistance value from 0-1000 Ω. Please contact the factory for any special requirements.



### ELECTRICAL SPECIFICATION

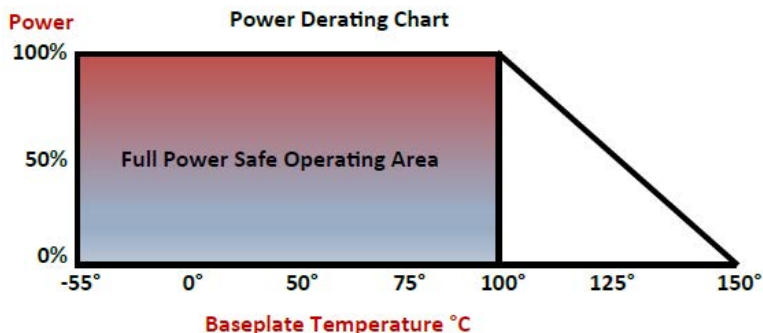
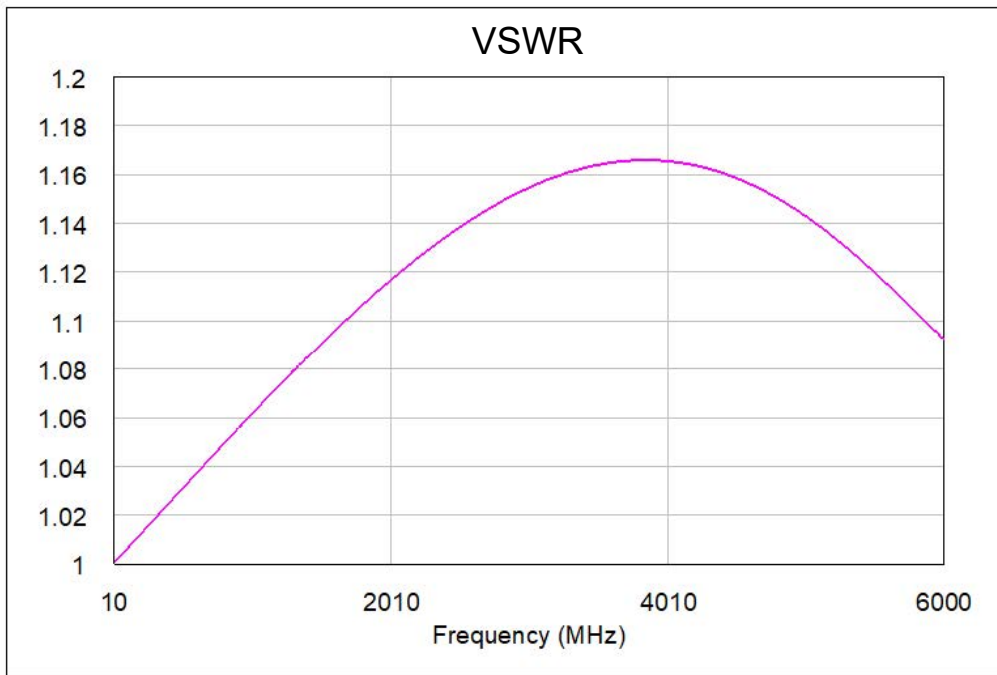
Frequency Range: DC - 6.0 GHz.  
Impedance: 50 Ω  
DC Resistance: 50 Ω ±5%  
Average Power: 100 W (See Power vs Temp. Chart)  
Peak Power: 250W (700µs pulse,20% duty cycle)  
VSWR: 1.2:1 Max.  
Operating Temp.: -55° C to +150° C

### MECHANICAL SPECIFICATION

Substrate: Beryllium Oxide, 99%  
Resistor: Thick Film  
Flange Material: Copper, Nickel plate per QQ-N-290  
Cover Material: 96% Alumina  
Storage Temp: -55° C To +175° C



Typical Performance Data



Mechanical Mounting

THREAD SIZE	TORQUE SETTING
2-56	4 inch-pounds
4-40	6 inch-pounds
6-32	8 inch-pounds
8-32	12-inch-pounds

SUGGESTED MOUNTING  
AND TAB STRESS RELIEF METHOD

